

Mining Truck

T 236

Nominal Payload

100 tonnes / 110 tons

Gross Vehicle Weight (GVW)

180 tonnes / 198 tons

Engine Power

895 kW / 1,200 HP



LIEBHERR



Productivity

Working Harder and Faster



Efficiency

Moving More for Less



Reliability

Ready to Work
When You Need It

Nominal Payload

100 tonnes / 110 tons

Gross Vehicle Weight (GVW)

180 tonnes / 198 tons

Engine Power

895 kW / 1,200 HP





Customer Service

World-Class Support,
Everywhere, Every Day



Safety

Protecting Your Most
Important Assets



Environment

Mining Responsibly





Productivity



Working Harder and Faster

Intelligent design allows the Liebherr range of haul trucks to move more tons per hour by maximising payload and minimising cycle times.

Enhanced Performance

Drivability

Liebherr is committed to designing mining trucks that operators want to drive. The ergonomic T 236 cab and superior properties of the front wheel suspension system fulfills this commitment and promotes driver efficiency with superior comfort, safety, acceleration and handling.

Drive System Performance

The Liebherr T 236 Litronic Plus AC drive system enables a constant application of power to ground that is less sensitive to grade and payload variations. With a high take-off torque capability, the T 236 is designed to meet the most challenging operating environments.

Efficient Engine and Fuel System

The Cummins QST30-C Quantum Electronic Control System governs the high pressure pump and unit injectors for precision injection pressure and timing, while swirl-port cylinder heads optimize durability and combustion sealing. Advanced airflow improves fuel economy, low-end torque performance and emissions capability.

The QST30-C fuel-spray pattern and piston bowl contour ensure optimized combustion with fewer emissions, while maintaining structural integrity, reliability and durability.

Optimal Truck Shovel Match

Together with the R 9100 B, R 9150 B, R 9200, R 9250 and R 9350 hydraulic excavators, Liebherr offers the most complete high performance and scalable HEX / OHT match in the world – always the right combination for production requirements.

Mining Excavator	R 9100 B	R 9150 B	R 9200	R 9250	R 9350
Number of passes	8-9	7-8	5	4	3



Class Leading Payload Capacity

- Designed to carry up to 100 tonnes/ 110 tons payload capacity
- Highly efficient power train and hydraulic system design ensures the T 236 moves more material in less time

Continuous Drive System

- The Liebherr T 236 Litronic Plus Generation 2 AC drive system enables constant application of power to ground that is less sensitive to grade and payload variations

High Horse Power Engine

- Cummins QST30-C is fitted as standard for the T 236
- Engine delivers 895 kW / 1,200 hp gross power
- Advanced airflow improves fuel economy, low-end torque performance and emissions capability



Efficiency



Moving More for Less

Efficiency is a key ingredient for a successful mining operation. Liebherr mining equipment enables customers to enjoy unrivalled performance while reducing cost per ton.

Reducing Cost Per Ton

Generation 2 Drive System Technology

The next evolution in Electric Drive System design, Liebherr's Litronic Plus Generation 2 AC drive system introduces advanced Active Front End technology.

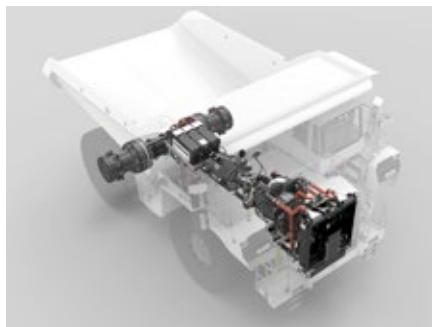
By making efficient use of electrical energy during retarding events, the drive system is able to deliver controlled engine speed with almost no fuel consumption.

Powertrain Efficiency Optimisation

Vertical integration of Liebherr designed and manufactured components ensures the T 236 powertrain components achieve optimal system efficiency and performance throughout the full range of applications.

Innovative Hydraulic System

The T 236 innovative variable hydraulic system lowers machine parasitic losses to provide maximum power to ground, while lowering fuel consumption when power is not required.



Easy Component Access

The T 236 reduces maintenance time by offering ground level service points whenever possible. This feature allows more time to be spent in operation and less time spent in the workshop.

Long-Lasting Components

All components are designed and built to perform and last in the most extreme mining conditions. As a result, Liebherr trucks run much longer between component overhauls, saving time and money.

Low Parasitic Powertrain Losses

- Optimized parasitic energy consumption during propulsion ensures the Liebherr T 236 makes efficient use of available engine power, providing the lowest possible fuel consumption
- During retard the power generated by the wheels is used to eliminate parasitic energy consumption and reduce truck speed by engine friction while controlling the engine speed at any time

Wheel Motors

- The T 236 AC induction motors efficiently convert electrical power into stepless mechanical torque
- Fewer electrical losses translate into higher rimpull forces for faster cycle times and increased fuel economy
- Sealed traction motor end housing design reduces potential for stator contamination

Engine / Fuel System

- Highly reliable engine options
- Safe and energy efficient
- Reduced fuel consumption
- Cummins QST30-C



Reliability



Ready to Work When You Need It

Liebherr draws upon a wealth of experience while incorporating new technologies into products to provide customers with high quality equipment and services.

All Weather Reliability

Four Corner Wet Braking System

The T 236 is the first diesel electric truck in class to incorporate an oil immersed braking system with four corner retarding capabilities, providing reliable braking technology.

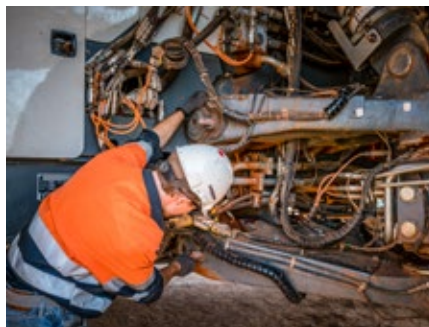
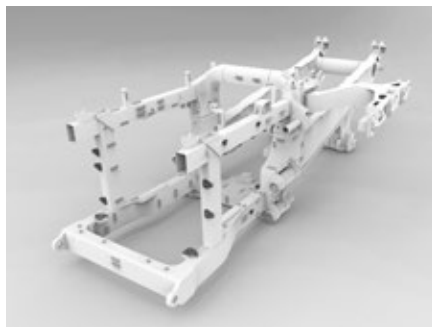
In-Line Electrical Powertrain layout

The revolutionary in-line Electrical Power train layout minimizes cable lengths, while the maintenance free IP-68 rated plug-and-drive power modules ensure reliable operation in all weather situations.

Traction Control

The T 236 Advanced Traction Control System has been developed exclusively for mining truck applications. With four-wheel speed sensing capability, torque is automatically adjusted to the rear wheels to maximize traction when cornering, accelerating from a standstill, or travelling down wet or icy roads.

The innovative control system provides enhanced steering control and truck stability whilst maximising tire life in the most challenging conditions.



Structurally Built to Last

- For ultimate reliability and strength, the T 236 main frame structure provides castings in high stress areas, reducing weld complexity and ensuring welded joints are strategically located outside of load interface points

Advanced Engineering Tools and Field-Testing Methods

Liebherr's structural design process includes various techniques and advanced software tools to ensure that the T 236 will perform reliably under the most demanding operating conditions.

Some of the tools include:

- Multi-body Dynamic Simulations
- 3D modelling
- Finite Element Analysis (FEA)
- Structural Fatigue Life prediction software
- Extensive field testing for product validation

Liebherr Machine Control and Service

- The electronic machine controls are executed in heavy duty harness and IP-68 connectors. The electrical compartment is integrated inside the cab with superior service access
- Machine performance monitoring provides instantaneous or historic productivity, cycle time or fuel consumption statistics
- Application monitoring aids in Misuse Detection and Avoidance to avoid use of equipment outside of operational parameters

Quality: the Liebherr Trademark

Quality Management

Liebherr quality begins during machine design and simulations. Liebherr meets the highest standards for special selections of steels and casting material. Based on the expertise of certified internal auditors and a highly qualified workforce, all manufacturing process steps are devised to provide the most comprehensive control, monitoring and traceability. Liebherr Mining Equipment Colmar SAS is ISO 9001 certified.

Liebherr Component Integration

As an OEM, Liebherr has built a solid reputation for the development and production of high quality strategic mining components. The T 236 integrates robust and reliable mining optimized components that are developed, manufactured and controlled by Liebherr ensuring reliability and high performance for the entire machine.

Quality Products

With a long history of hydraulic excavators, haulage trucks and support equipment operating in the harshest mining environments, Liebherr has a proven record of providing reliable products. The T 236 design is based on the experience gained from millions of operating hours on Liebherr mining machines.



Customer Service



World-Class Support, Everywhere, Every Day

As a global mining solutions provider, Liebherr is more than a mining equipment manufacturer. Ensuring a permanent dialogue with each machine owner, Liebherr provides tailored assistance to customer specific project and site requirements.

Customer Support

International Service Organization

The Liebherr Service Support has always been an important focus for the company. Complete service during all operating phases from machinery installation to problem solving, spare parts inventory and technical service. Our service team is close to our customers, delivering the best specific maintenance solution to reduce both equipment downtime and repair costs.

Complete Training Programs

The Liebherr Mining Training System provides blended training sessions for operator and maintenance staff to encourage productive, cost-effective and safe mining operation. The Liebherr Mining Training System employs online learning programs, factory and on-site sessions and simulator training.



Remanufacturing

Reduced Costs and Investment

Over the course of a mining machine's lifetime, major components must be replaced to ensure continued safety, productivity and reliability. The Liebherr Mining Remanufacturing Program offers customers an OEM alternative to purchasing brand new replacement components. Enabling customers to achieve lowest possible equipment lifecycle costs without compromising quality, performance or reliability.

Fast Availability

With an international service network and component facilities world-wide, component repair services and exchange components are available to customers regardless of their location.



Genuine Parts

Performance

Using genuine Liebherr components ensures the best interaction within your machine, encouraging optimal performance and most effective machine operation. For all major components, Liebherr relies on its Liebherr Maintenance Management System to follow and monitor service life while predicting maintenance activities.

Partnership

Liebherr regularly reviews requirements for parts and components for individual machines, based on operating hours, consumption and planned maintenance, resulting in minimized downtime for customers. With access to the global stock via all Liebherr Mining warehouses, you will improve productivity by having the part you need, when you need it.



Extended Component Life

- Liebherr designed Service Exchange Units enable customers to minimize the total lifecycle cost of owning and operating a Liebherr mining truck or excavator
- Maintains peak productivity and reliability
- All exchange components are built to OEM standards, offering as-new warranties

Advanced Training Capabilities

- The Liebherr Mining Training System provides operator and field service technicians with world-class training
- Simulator-based operator training
- Basic and advanced service technician training
- Hands-on troubleshooting training

Service Excellence Program

- Ground-level central service station
- Sight glasses on major components
- Ground-accessible hydraulic filters and manifolds
- Easy access to check wear components



Safety



Protecting Your Most Important Assets

Liebherr is committed to providing a safe and healthy working environment for the operator and service personnel. Liebherr designs and builds safety into every piece of mining equipment.

Safe Work Environment for Everyone

Machine Isolation

To ensure the safety of maintenance technicians and bystanders, the T 236 is equipped with double pole battery, starter motor and hoist system isolators as standard.

In addition, the T 236 provides an innovative drive system inhibit, electrically interlocked to grounding devices for each plug and drive power module. An industry first, Liebherr's Litronic Plus isolation system ensures the safety of maintenance personnel through elimination of hazards by design.

Four Corner Park Brake System

A four corner, spring-applied park brake system provides the Liebherr T 236 with a fail to safe braking system.

Operational Safety

In order to maintain a safe working environment, the T 236 offers the following features:

- Payload overload warnings
- Anti-roll-back feature active in forward and reverse
- Certified steering and braking accumulators
- High visibility LED running and service lights
- Engine shutdown switches in cab and at ground level

Service Personnel Safety

Liebherr mining trucks are equipped with access systems, strategically designed to support machine maintenance tasks, including:

- Access to the engine and alternator from both sides of the chassis
- Ground level filling points for fuel, hydraulic oil and coolant
- Hydraulic filters and machine isolation box accessible from ground level
- Tie offs for safety harnesses
- Centralized access to all cab electrical connections from the superstructure floor

Enhanced Ergonomics

With superior comfort, safety, performance and reliability, the Liebherr T 236 was created with operators and customers in mind. The ergonomic design of the cab provides maximum visibility for increased safety and performance.



Four Corner Wet Braking System

- Oil immersed braking system
- Four corner retarding
- Four corner spring-applied park brakes – fail-safe braking system
- Hold Brake Actuation via Shift Selector

Advanced Traction Control System

- Advanced Traction Control System with four wheel speed sensing capability
- Torque is automatically adjusted to the rear wheels to maximize traction when cornering, accelerating from a standstill, or travelling down wet or icy roads
- Traction Control System developed by Liebherr exclusively for mining trucks enables operators to consistently maintain steering control and truck stability

Safety Optimized Cab

- Roll Over Protection Structure (ROPS)
- Fall On Protection Structure (FOPS)
- Fire Suppression System (optional)
- Enhanced ergonomics for operator and passenger



Mining Responsibly

In order to minimize environmental impact, Liebherr designs and builds mining equipment with the smallest possible environmental footprint.

Minimized Impact on the Environment

Low Emissions

By partnering with leading providers of high-speed diesel engines, Liebherr is able to offer engine options for the T 236 with the emission technology required to satisfy national or local emissions requirements.

Fuel Efficiency

Liebherr's Litronic Plus drive system paired with the latest engine technology provides excellent fuel economy. Lowering the fuel consumption of the truck can significantly reduce the carbon footprint of the entire operation.

Extended Service Intervals

With extended life service intervals, the T 236 reduces filter consumption as part of the equipment maintenance lifecycle.

Environmentally Sustainable Mining

Component Exchange

Liebherr reduces waste by overhauling components using original core parts. The Liebherr exchange program extends component life cycles and is an important contribution to environmental sustainability through substantial material and energy savings.

Environmental Awareness

Liebherr is committed to the protection of the environment and takes necessary steps to meet various regulatory requirements in our manufacturing process to restrict the use of hazardous substances. This includes the use of alternative coatings and plating to reduce the overall impact on the environment.



Reducing Consumables and Fuel

- The electrical power train significantly reduces hydrocarbon and filter usage throughout the equipment maintenance lifecycle
- Highly efficient powertrain reduces fuel consumption per ton moved

Optimized Tire Life

- Double A-arm front suspensions to keep an optimal ground contact of the tyre within the whole suspension stroke
- Optimized camber and toe angle reduces tire wear
- Improved operator ride quality and reduction of whole body vibration exposure

Sustainable Manufacturing Process

- With an ever-present green focus, Liebherr contributes to the sustainable development of new and existing products
- Systematic risk analysis for new materials qualifications

Technical Data



Engine

Model	Cummins QST 30-C
Type	Vee configuration, 4-cycle, water-cooled
Aspiration	single stage turbocharged, air-to-air charge air cooling
Air cleaner	Donaldson STG16, dry-type double element, cyclonic pre-cleaner and mechanical dust indicator
Tier rating	available in fuel-optimized (FO) modes and emission-optimized (EO), including US EPA Tier 2
Engine speed	1,800 – 2,100 rpm
Gross power¹⁾	895 kW / 1,200 HP
Number of cylinders	12
Maximum torque	5,086 Nm / 518.6 kgf-m at 1,400 rpm
Torque rise	25 %
Bore	140 mm / 5.51"
Stroke	165 mm / 6.49"
Displacement	30.5 l / 1,861 in ³
Starting	dual parallel electric gear reduction starter motors
Oil filtration	4X Fleetguard NanoNet lubrication filters
Fan drive type	variable speed hydraulic engine fan
Exhaust	side mounted insulated muffler with exhaust pipes
Fuel filtration	2-stage filtration with water separation

¹⁾ Gross power definition according to ISO 3046 (ratings also correspond to SAE J1995 standard conditions).



Electric Drive System

Control system	Liebherr Litronic Plus Generation 2 high efficiency drive system with integrated active front end for engine retarding operation
Control modules	Liebherr liquid cooled IGBT frequency converters in modularized configuration with integrated short circuiting and grounding device, IP-68 protection class, maintenance-free
Alternator	Liebherr dual bearing AC synchronous brushless with external excitation, forced air cooled
Traction motors	Liebherr compact asynchronous motors, forced air cooled
System voltage level	690 V AC / 900 V DC
Alternator power rating	900 kW
Traction motor power rating	500 kW
Air cooling system	variable speed hydraulic driven radial blower
Electric drive system	alternator excitation inhibit system with lockout mechanism for installation of personnel locks
Max. travel speed	55 km/h / 34 mph



24 V Electric System

24 V cabinet	main electrical compartment contained within operators cab, with machine isolation/lockout compartment at bumper level, accessible from ground
Wiring	heavy duty harness design with IP-68 protection class for exposed connectors
Lights	LED lighting in all locations as standard. Low and high beam driving lights in accordance with ISO 12509. Standard lighting configuration includes, driving lights, turn indicators, hazard lights, brake lights, reverse lights, access system lighting. Access system lighting control from ground level
Protection	circuit protection provided for all electrical systems
Battery and starter isolation	double pole battery isolator, single pole starter isolator, lockout mechanism for installation for personnel locks
Machine control	decentralized CAN bus system
Battery compartment	battery assembly in stainless steel lifting frame and stainless steel housing, 4 batteries 12 V / 180 Ah
Camera system	4 cameras covering front, rear and side views. Automatic view selection subject to driving situation mounted in isolation compartment
Auxiliary jump start	accessible from ground level



Braking Systems

Hydraulically controlled 4 corner oil cooled multiple wet disc brake system including service brakes and park brakes.	
Brake standards	ISO 3450
Service brake actuation	hydraulic controlled
Parking brake type	spring applied, hydraulic released
Retarder	wet disc brake system in conjunction with active front end of electric drive system
Retarder capacity – continuous	1,045 kW
Retarder actuation	4 corner electro hydraulic actuation of front and rear brakes
Secondary brake actuation	electronic controlled hydraulic release park brake actuation pressure



Steering and Suspension

Double A-arm front wheel arrangement with oil nitrogen suspension struts. Steering system with double acting full hydraulic power steering and central idler arm. Rear axle in a four bar linkage arrangement.	
Effective cylinder stroke – front	278 mm / 10.9"
Effective cylinder stroke – rear	150 mm / 5.9"
Rear axle oscillation	6°
Steering standards	ISO 5010
Turning radius on front wheel track with standard tires according to ISO 7457	11.1 m / 36'5"
Machine clearance turning circle according to ISO 7457	13.2 m / 43'3"
Steering angle, left or right	40°



Dump System

Hydraulically controlled dump system with cylinders end position and stage change damping function.

Hoist cylinder type	two stage telescopic cylinder with double acting second stage
Dump cycle time	26 s
Body raise time – high idle	13 s
Body power down – high idle	13 s



Tires

Tires	27.00 R49
Rims	19.5" x 49" bolt-on rims single gutter rim as standard (optional double gutter rim)



Frame

Design	welded box type structure with castings in high stress areas, ensuring welded joints are strategically located outside of load interface points
Max. main frame width	2,500 mm/8'2"
Frame rack angle	8°
Axle box	single piece casted structure, suspension connection in force and stroke optimized position



Cab

Ergonomic cab layout. Full size trainer seat in offset position. Large field of vision for operator to front and side direction. Comfort access from driver side platform and central platform. High performance air conditioning system. Primary machine controls in comfort reach of operator. Ready for installation of customized add on systems. Equipped with 12 V and USB power sockets. Radio with 2 speakers. Sun blinds provided on front and side window as standard.

Seat	air suspended seats with integrated compressor and seat heating, 3-point safety belt, arm-rest
ROPS standard	ISO 3471: 2008
FOPS standard	ISO 3449: 2005, level II



Access and Maintenance

Primary access	ISO 2867-2011 and AS 1657-2013, step ladder from bumper level with 60° and 45°, access fully visible from operator position
Secondary access	ISO 2867-2011 and AS 1657-2013, rung ladder with handrails from bumper level
Service access	side doors and top hatch access to engine, air filter access from platform, reservoirs and filling points accessible from ground level
Top deck	fully flat top deck arrangement without steps



Weights

Nominal payload	100 t/110 ton
Gross vehicle weight (GVW)	180 t/198 ton
Empty vehicle weight (EVW)	80 t/88 ton
Chassis weight¹⁾	65 t/71.7 ton
Body weight²⁾	15 t/16.5 ton
Weight distribution	empty – front 51%/rear 49% loaded – front 34.5%/rear 65.5%

¹⁾ Standard truck (less options), tires and rims, 100% fluids (fuel tank, hydraulic tank, gears, suspensions, crankcase, coolant, grease and charged accumulators).

²⁾ Body sizes are custom designed to meet customer requirements and specific conditions. Dump body weight reflects configuration as outlined within the technical data dump body section.



Fluid Capacities

Standard fuel tank	1,080 l/285 gal
Cooling system	370 l/98 gal
Engine oil/crankcase	133 l/35 gal
Final drives	140 l/37 gal
Steering system and fan drives (tank volume)	200 l/53 gal
Steering system (includes tank)	360 l/95 gal
Brake/hoist hydraulic system (tank volume)	350 l/92 gal
Brake/hoist hydraulic system (including tank)	840 l/222 gal
Suspensions	53 l/14 gal
Pump drive splitterbox	10.5 l/2.8 gal
Front wheels	16.4 l/4.3 gal
Grease system	16 kg/35 lb

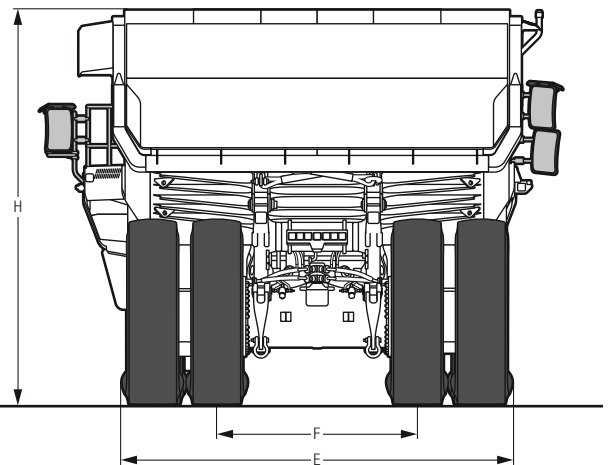
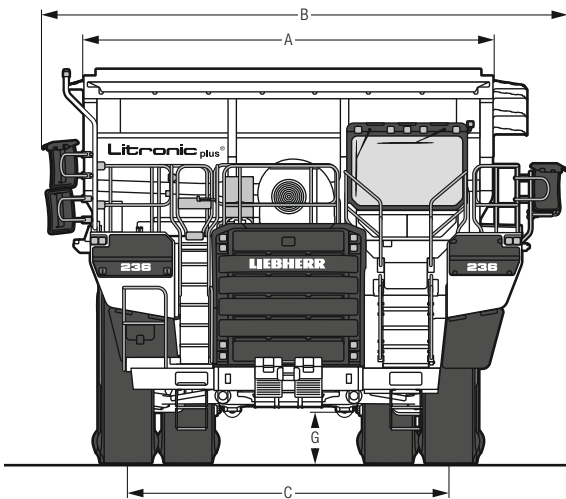
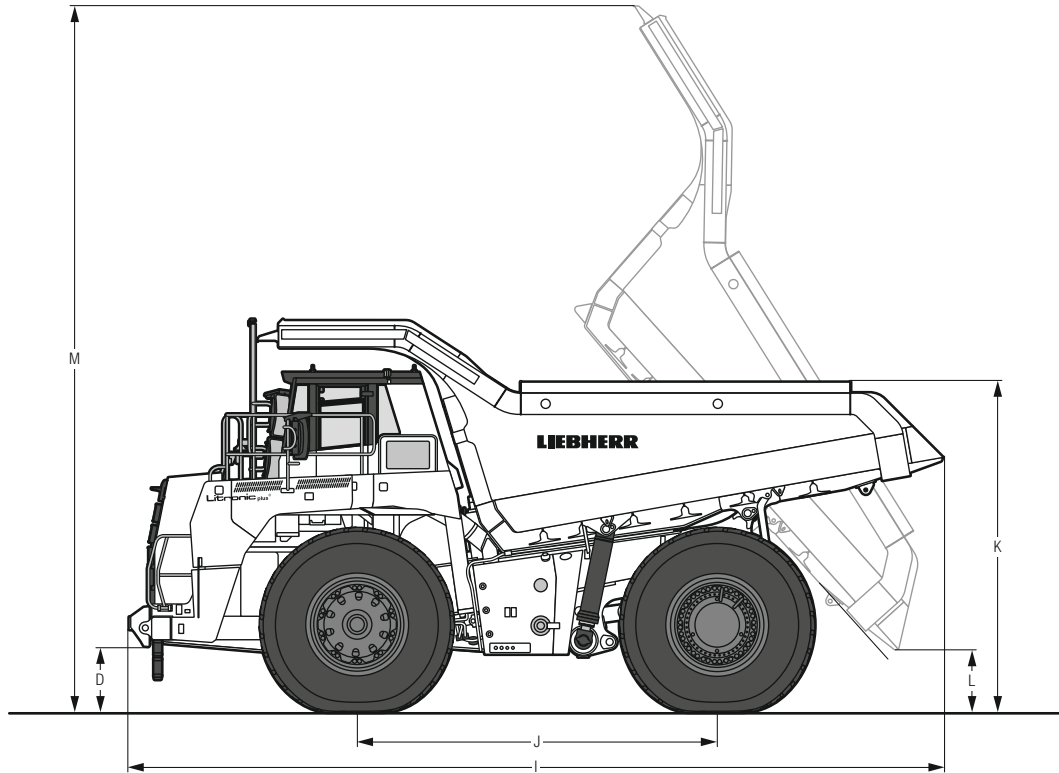


Dump Body

Overburden body for density 1.8 t/m³	flat floor body with box type bolsters on side-walls and floor plate. Canopy reaching to front of the cab. Eye brow cover over driver side cab walkway. Lifting eyes integrated into sidewalls. Freeboard allowance of approx. 200 mm incorporated into design
Capacity heaped 2:1 (SAE)	62.5 m ³ /81.8 yd ³
Capacity cone model @ 30° angle of repose at remaining freeboard of 200 mm/7.8"	55.6 m ³ /72.7 yd ³
Rated payload	100 t/110 ton
Dumping angle	48°

Please contact factory for further body configurations.

Dimensions



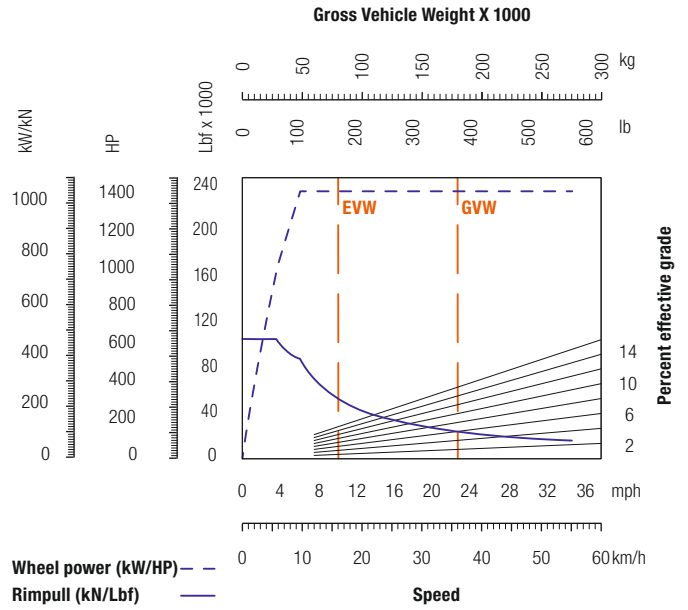
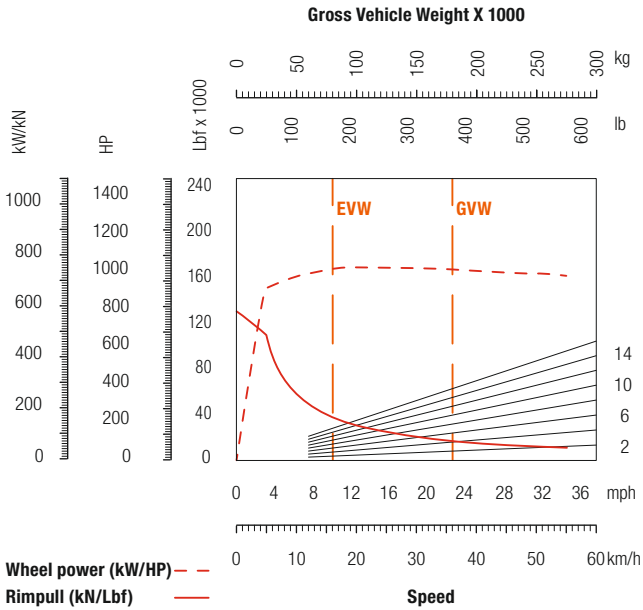
	mm/ft in
A Outside body width	5,752/18'10"
B Overall truck width (operating width)	7,380/24' 3"
C Centerline front tire width	4,518/14' 8"
D Bumper to ground clearance	1,073/ 3' 5"
E Overall (rear dual) tire width	5,484/18'
F Dual spacing	2,824/ 9' 3"
G Rear axle clearance	876/ 2' 9"

	mm/ft in
H Front canopy height (EVW)	5,688/18'7"
I Overall truck length	11,447/37'6"
J Wheelbase	5,060/16'6"
K Loading height (EVW)	4,792/15'7"
L Dump clearance (EVW)	1,027/ 3'4"
M Body raised height	10,087/33'1"

(EVW): Empty Vehicle Weight

Illustrations show truck body optimized for 1.8 t/m³ density.

Performance Curves



Performance Chart Parameters

Propulsion

Gross power	895 kW / 1,200 HP
Net power	835 kW / 1,120 HP
Tire size	27.00 R49
Gear ratio	40 to 1
Reference curves	--- Wheel power (kW/HP) — Tractive effort (kN/Lbf)

Note: The propulsion curve is calculated using net horsepower for a 25 °C/77 °F ambient temperature, therefore site specific and climatic variables will have an effect on the parasitic loss estimations.

Performance Chart Parameters

Retard

Retard power (continuous)	1,045 kW / 1,400 HP
Tire size	27.00 R49
Gear ratio	40 to 1
Reference curves	--- Continuous retard power at wheels (kW/HP) — Continuous retard force (kN/Lbf)

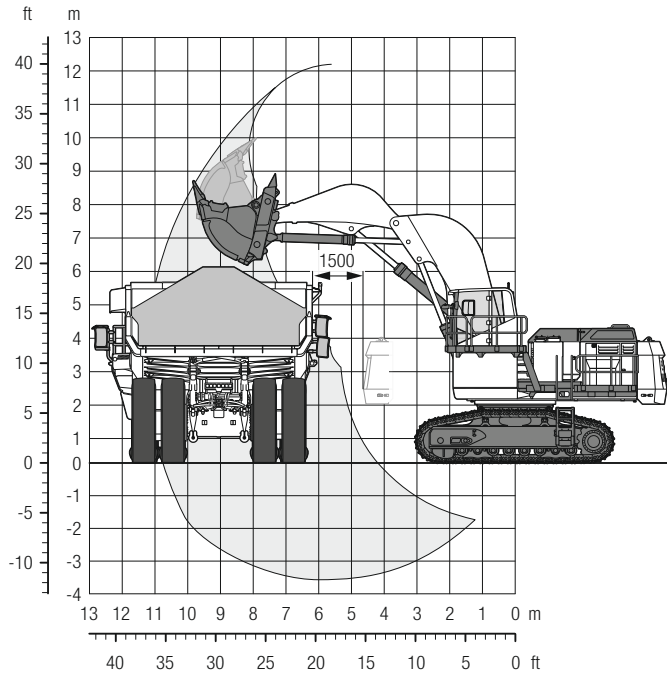
Note: The retard curve is calculated for a 32 °C/90 °F ambient temperature (as per ISO 10268).

Truck Match

Liebherr excavator and conguration	R 9100 B/BH	R 9100 B/FS	R 9150 B/BH	R 9150 B/FS	R 9200/BH	R 9200/FS	R 9250/BH	R 9250/FS	R 9350/BH	R 9350/FS
Standard bucket*	m ³ 7.5	7.3	8.8	8.3	12.5	12.5	15.7	15.0	18.7	18.0
	yd ³ 9.8	9.6	11.5	10.9	16.4	16.4	20.5	19.6	24.5	23.5
Number of passes	8	9	7	8	5	5	4	4	3	3

* 1.8 t/m³

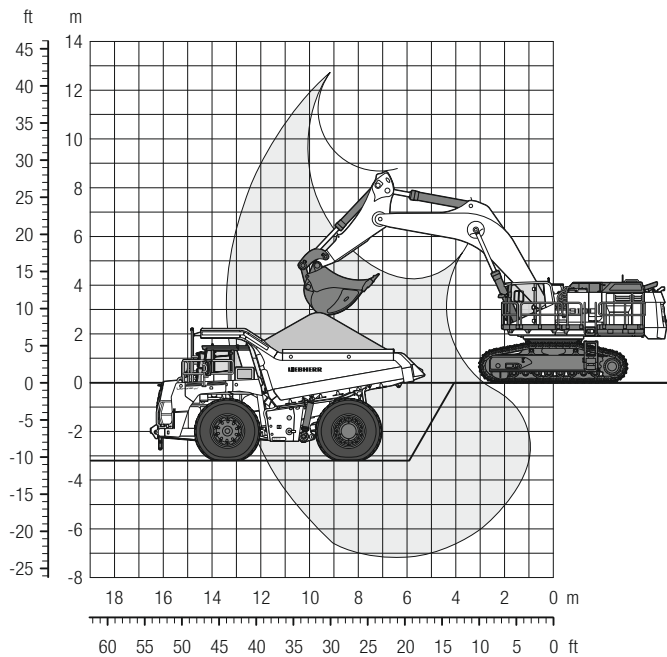
Loading Charts



T 236 Mining Truck

loaded by the Liebherr R 9100 B hydraulic excavator in face shovel configuration

Maximum dump height	8.00 m / 26'2"
Truck loading height	5.07 m / 16'7"
Passes to fill with a 7.3 m ³ shovel capacity (given a 1.8 t/m ³ / 3,000 lb/yd ³ density)	9 passes

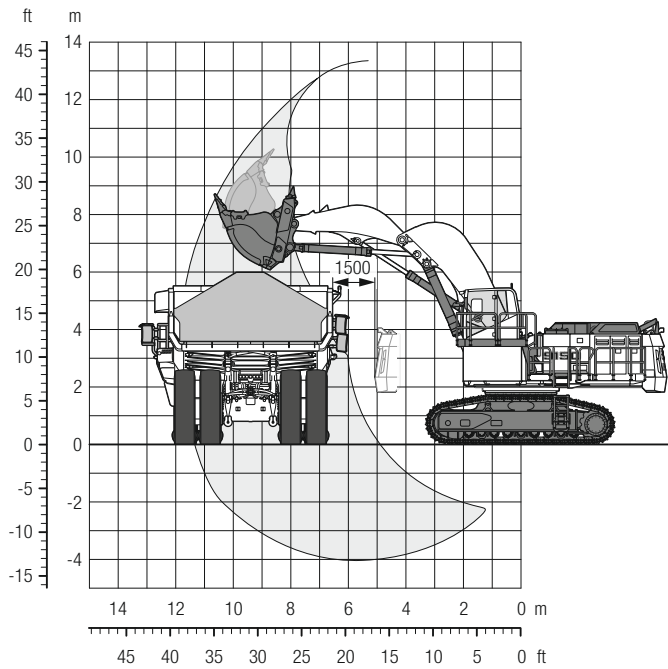


T 236 Mining Truck

loaded by the Liebherr R 9100 B hydraulic excavator in backhoe configuration

Maximum dump height	8.65 m / 28'4"
Truck loading height	5.07 m / 16'7"
Passes to fill with a 7.5 m ³ bucket capacity (given a 1.8 t/m ³ / 3,000 lb/yd ³ density)	8 passes

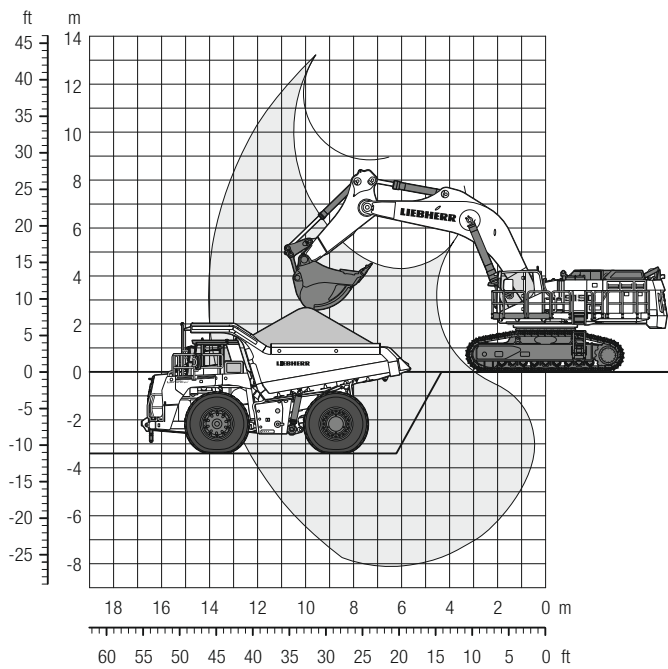
Illustrations show truck body optimized for 1.8 t/m³ density.



T 236 Mining Truck

loaded by the Liebherr R 9150 B hydraulic excavator in face shovel configuration

Maximum dump height	8.80 m/28'9"
Truck loading height	5.07 m/16'7"
Passes to fill with a 8.3 m ³ shovel capacity (given a 1.8 t/m ³ / 3,000 lb/yd ³ density)	8 passes



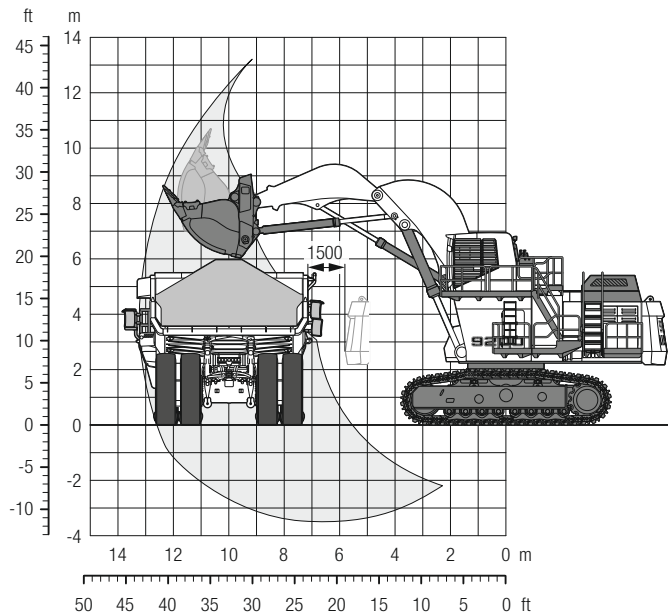
T 236 Mining Truck

loaded by the Liebherr R 9150 B hydraulic excavator in backhoe configuration

Maximum dump height	8.84 m/29'
Truck loading height	5.07 m/16'7"
Passes to fill with a 8.8 m ³ bucket capacity (given a 1.8 t/m ³ / 3,000 lb/yd ³ density)	7 passes

Illustrations show truck body optimized for 1.8 t/m³ density.

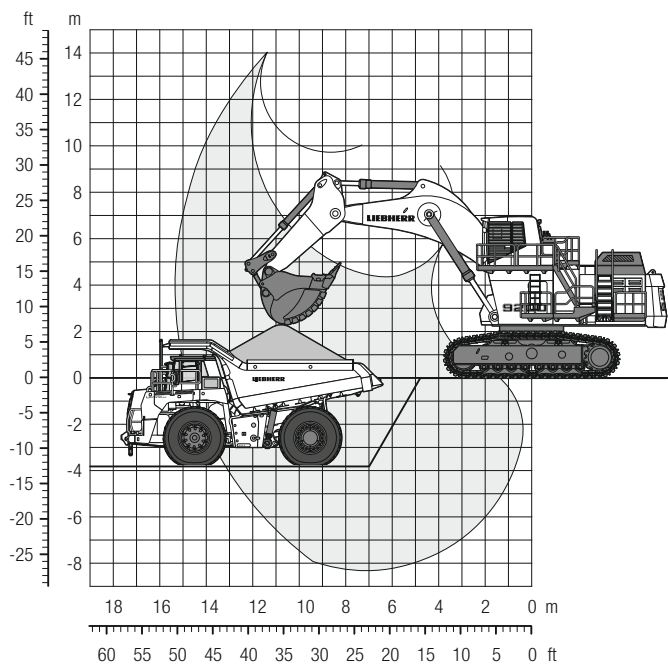
Loading Charts



T 236 Mining Truck

loaded by the Liebherr R 9200 hydraulic excavator in face shovel configuration

Maximum dump height	8.37 m / 27'5"
Truck loading height	5.07 m / 16'7"
Passes to fill with a 12.5 m ³ shovel capacity (given a 1.8 t/m ³ / 3,000 lb/yd ³ density)	5 passes

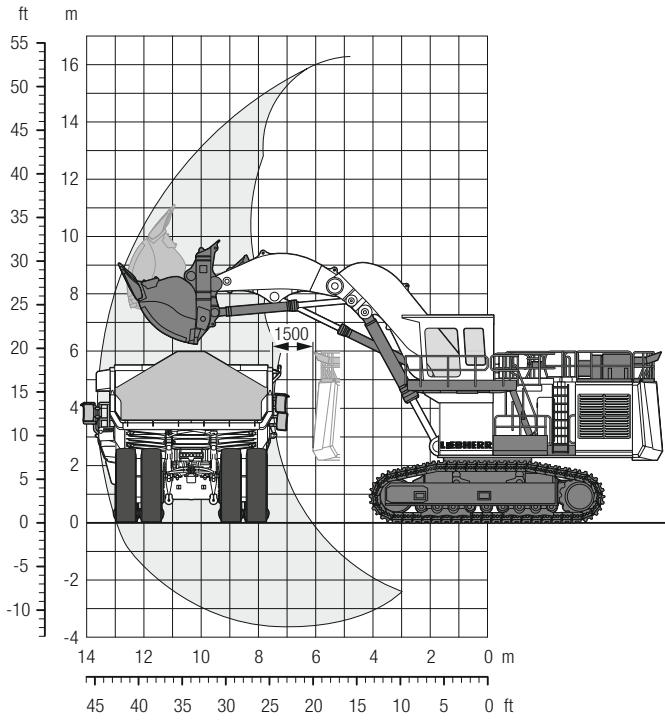


T 236 Mining Truck

loaded by the Liebherr R 9200 hydraulic excavator in backhoe configuration

Maximum dump height	9.71 m / 31'10"
Truck loading height	5.07 m / 16' 7"
Passes to fill with a 12.5 m ³ bucket capacity (given a 1.8 t/m ³ / 3,000 lb/yd ³ density)	5 passes

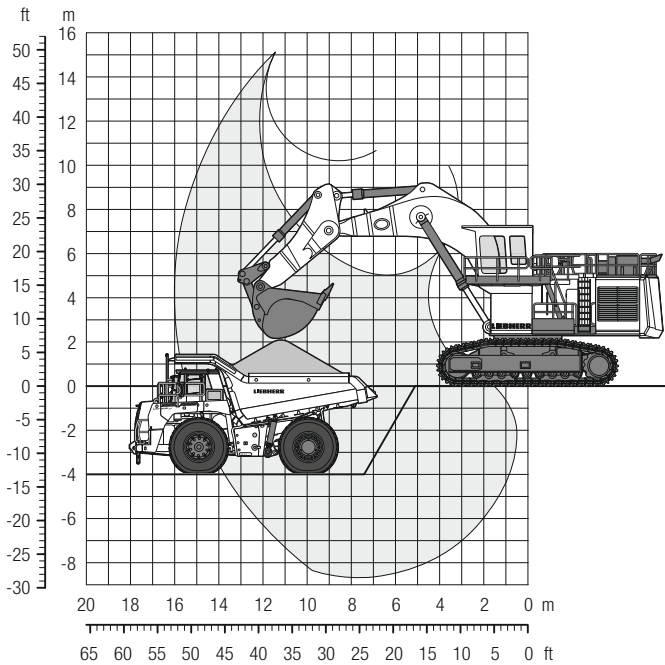
Illustrations show truck body optimized for 1.8 t/m³ density.



T 236 Mining Truck

loaded by the Liebherr R 9250 hydraulic excavator in face shovel configuration

Maximum dump height	11.00 m/36'1"
Truck loading height	5.07 m/16'7"
Passes to fill with a 15.0 m ³ shovel capacity (given a 1.8 t/m ³ / 3,000 lb/yd ³ density)	4 passes



T 236 Mining Truck

loaded by the Liebherr R 9250 hydraulic excavator in backhoe configuration

Maximum dump height	10.30 m/33'9"
Truck loading height	5.07 m/16'7"
Passes to fill with a 15.7 m ³ bucket capacity (given a 1.8 t/m ³ / 3,000 lb/yd ³ density)	4 passes

Illustrations show truck body optimized for 1.8 t/m³ density.

Optional Equipment

Additional

45° retractable access stairs to ground level

Automatic fire suppression system

Customized body options

Double gutter rim

High visibility night colour scheme

**Optional equipment are subject to change at manufacturer's discretion.
Please contact your local representative for further information.**